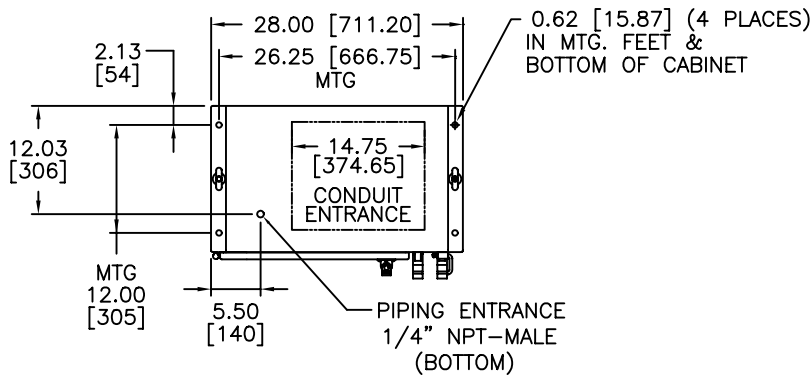
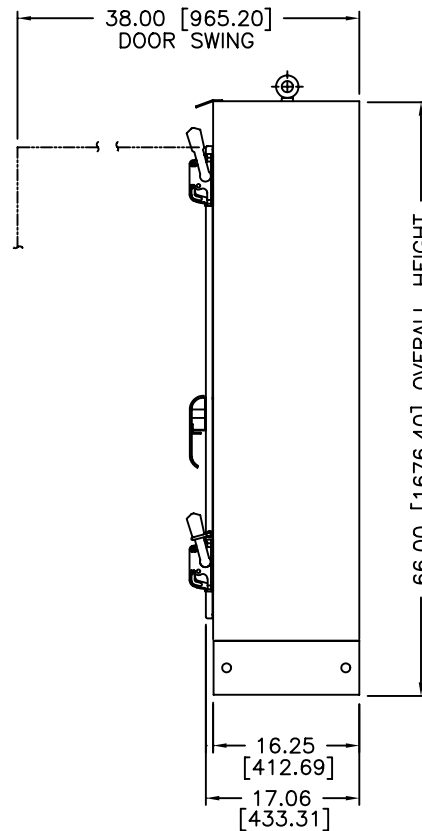
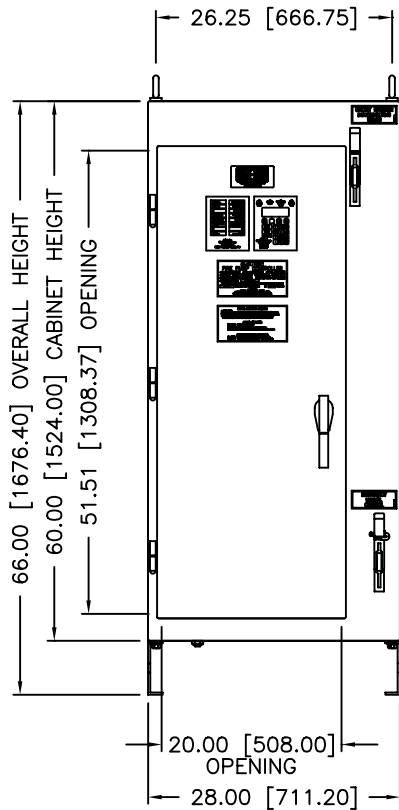
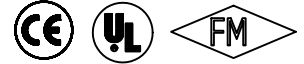


*Dimensions and Data*  
**For Full Service Fire Pump Controller**  
**Wye-Delta Closed Transition Starter**

*LXi-1800*



DIMENSIONS SUBJECT TO  
 CHANGE WITHOUT NOTICE.  
 ALWAYS CONSULT FACTORY  
 TO CONFIRM CURRENT  
 INFORMATION.



| RATINGS              | HP                   | VOLTS                | WITHSTAND            | ENCLOSURE TYPE        |
|----------------------|----------------------|----------------------|----------------------|-----------------------|
| ORDER<br>INFORMATION | 40-75                | 200-208V.            | 100,000 A<br>(STD)   | NEMA 2 (STD.)         |
|                      | 50-75                | 220-240V.            | 150,000 A            | NEMA 3R               |
|                      | 75-125               | 380-415V.            |                      | NEMA 12               |
|                      | 100-150              | 440-480V.            | 200,000 A            | NEMA 4 (NOT SHOWN *)  |
|                      | 125-200              | 550-600V.            |                      | NEMA 4X (NOT SHOWN *) |
|                      | HP                   | VOLTS                | WITHSTAND            | ENCLOSURE TYPE        |
| SELECT               | <input type="text"/> | <input type="text"/> | <input type="text"/> | <input type="text"/>  |

**NOTES:**

- ENCLOSURE MADE FROM 11 GA. STEEL
- FINISH: RED EPOXY-POLYESTER
- NO KNOCKOUTS
- BOTTOM CONDUIT ENTRY
- PROTECT INTERNAL EQUIPMENT FROM DRILLING CHIPS
- FLOOR MOUNTING
- "[ ]" INDICATES METRIC (mm) DIMENSIONS
- \*-SAME OUTSIDE DIMENSIONS



**HUBBELL / INDUSTRIAL CONTROLS, INC.**  
 4301 Cheyenne Drive, Archdale, N.C. 27263

|                 |      |
|-----------------|------|
| DATE:           | REV. |
| 12/05/2003      | -    |
| DRAWING NUMBER: |      |
| 18DE0021        |      |